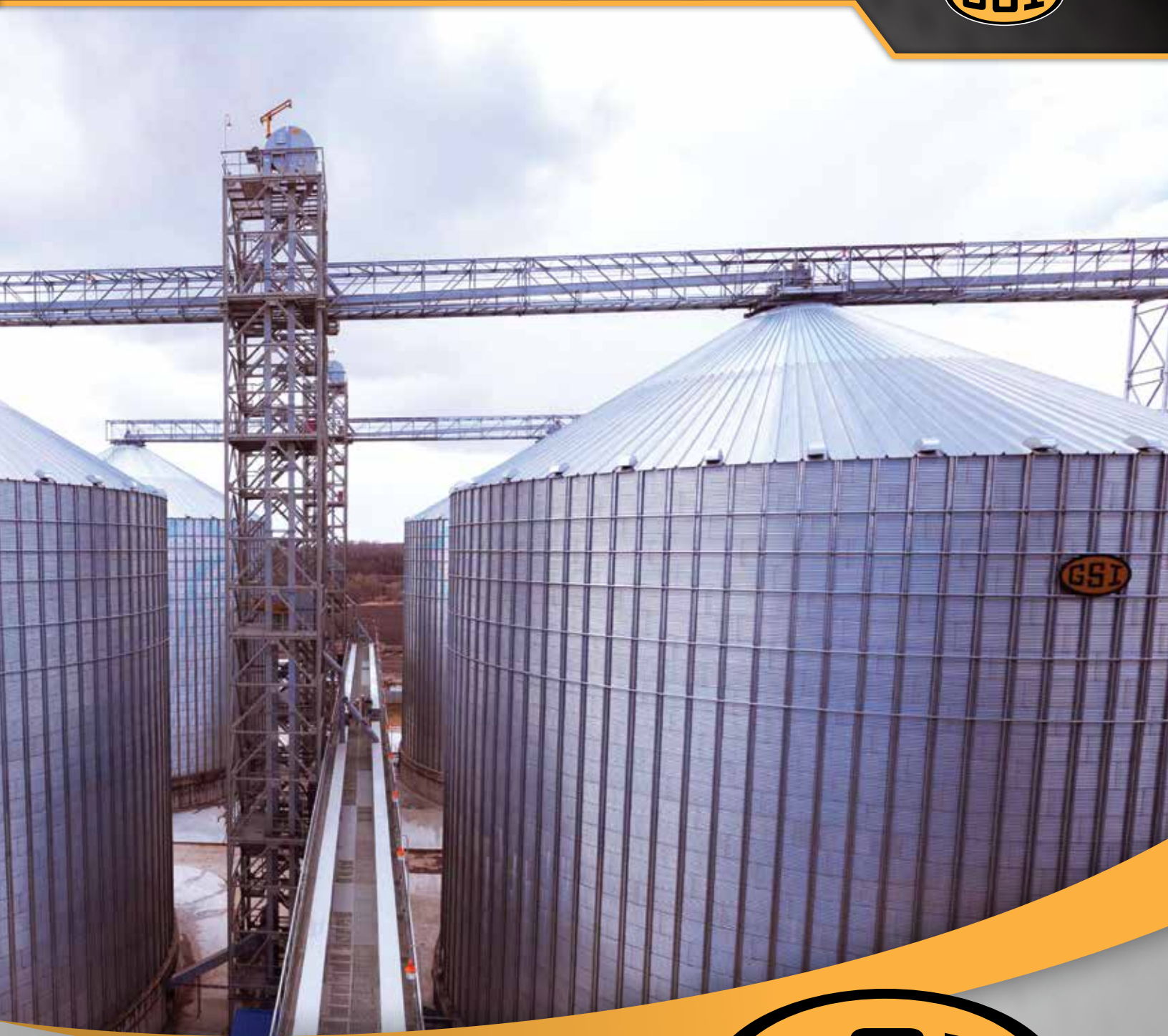



GSI MATERIAL HANDLING

BUCKET ELEVATORS & CONVEYORS



PROVEN & DEPENDABLE™

WWW.GRAINSYSTEMS.COM



From seeding to harvest, we recognize the hard work and determination you put in every day of the year. It's this dedication that drives the team at GSI to strive continuously to create reliable products that stand the test of time and maximize your productivity and profitability.

Over 40 years of hard work and dedication have gone into making GSI the world's number one manufacturer of grain bins and an industry leader in drying and material handling equipment.

Never satisfied with the status quo, we are driven to provide top-of-the-line products that will protect, condition and move the grain you work so hard to produce. We are committed each and every day to providing the best service possible by establishing lasting relationships with customers just like you who use our products with our worldwide network of dealers.

We're always growing, but we will never lose sight of the relationships that got us here in the first place. While our commitment to remain at the top runs deep, our commitment to you, our customer, runs even deeper.

THAT'S WHY GSI.

PROVEN & DEPENDABLE

BUILT FOR WHAT'S NEXT

From daily loadout to annual harvest, GSI material handling equipment is hard at work on farms, at grain elevators and in processing plants around the world.

GSI bucket elevators and conveyors are engineered to perform and built for years of reliable service. The heavy-duty design, durable construction, and corrosion-resistant standard finish meet the specific needs of your operation.

BUCKET ELEVATORS	
BUSHEL CAPACITY	1,500 to 60,000 BPH
PULLEY SIZES	16", 24", 30", 36", 42", 48"
FINISH	Galvanized or Powder Coat

	EN-MASSE CHAIN CONVEYORS 12"/14"/20" TALL	EN-MASSE CHAIN CONVEYORS 26"/32"/39" TALL	HI-FLIGHT CHAIN CONVEYORS 12"/14"/20" 27"/39" TALL	BELT CONVEYORS 24"/30"/36" 42"/48"/54" WIDE
BUSHEL CAPACITY	1,500 to 25,000 BPH	14,000 to 60,000 BPH	2,000 to 36,000 BPH	8,000 to 57,000 BPH
HORIZONTAL MAXIMUM LENGTH	12" Tall - 300' 16x14" - 280' 21x14" - 225' 14x20" - 300' 16x20" - 280' 20x20" - 300' 26x20" - 300' 32x20" - 280'	26x26" - 290' 32x26" - 250' 32x32" - 215' 36x32" - 195' 36x39" - 140'	Per Application	600'
BEND & INCLINE MAXIMUM	15°	15°	15°, 30°, 45°, 60°	15° Incline 12° Bend
FINISH	Galvanized or Powder Coat	Galvanized or Powder Coat	Galvanized or Powder Coat	Galvanized or Powder Coat

FEATURES

BUCKET ELEVATOR HEAD SECTION

A reliable GSI bucket elevator gives you maximum throughput and less grain damage, ensuring efficient operation. With an array of sizes, finishes and options, each bucket elevator is designed to meet your specific needs.



42" Head Section

ELEVATOR HEAD FEATURES INCLUDE:

- Two-piece hood for interior accessibility.
- Full-radius contoured hood to minimize wear and improve material discharge flow.
- Pressure relief panels on 30" models and larger.
- Machined, UHMW shaft seals.
- Heavy-duty, crowned face, double disc drum pulley with SOFR (static conductive, oil resistant & fire retardant) lagging.
- Bearing plates with vertical jack bolts for installation alignment.
- Fully adjustable throat plate.
- Hinged pulley lagging service door on both sides of head housing (42" & 48").

Optional Features:

- Lining packages including urethane and tile.
- Discharge transitions with urethane or tile liners.



JIB BOOM

Our heavy-duty bolt-on design provides a cost effective maintenance solution. Available for single row bucket elevators in 1/2 ton, 1 ton or 2 ton models.



X-SERIES PLATFORMS

X-Series platforms provide more space around the drive and motor for easy servicing. Designed to meet OSHA specifications. X-Series platforms are available for 16" - 36" bucket elevators.



SERVICE DOORS

Large hinged service doors located on both sides of the head section provide convenient access on 42" models and larger. Doors are weather tight and flush with the inside.



HEAD BEARINGS

Heavy-duty, double row, pillow block, roller bearings are mounted externally on 30" and larger, with an optional fully split bearing available. Ball bearings are used on 16" and 24".

BUCKET ELEVATOR BOOT SECTION

A structural iron frame provides solid construction through the boot. All stiffeners and frames have powder coated finishes for maximum corrosion resistance.



BOOT SECTION FEATURES INCLUDE:

- Externally mounted pillow block bearings.
- Machined, full-length UHMW shaft seal at take-up plate bearing surface.
- Heavy-duty, crown faced, double disc drum pulley.
- Easy access clean-out doors on each end.
- Removable panel at boot top, between trunks, can be adapted to dust collection equipment.
- Standard heavy gauge steel construction and bolted structural angle iron frame with vertical stiffeners.
- Precut openings in boot housing for belt touch switches or rub blocks.

Optional Features:

- Standard bolt-on boot hoppers for either upleg or downleg (field installed).
- Flared bolt-on boot hopper (field installed).
- Bolt-on shovel pocket (field installed).
- Winged or spiral winged self-cleaning boot pulley.
- Rack and pinion cleanouts.
- Urethane or tile liners available for boot hoppers.



BELT TENSION TAKE-UP

Standard belt tension take-up assembly utilizes corrosion-resistant ACME threaded rods.

GRAVITY TAKE-UP

Optional gravity take-up available.



INSPECTION DOOR

Hinged inspection door on 42" (1066.8mm) and 48" (1219.2mm) only.

FEATURES

BUCKET ELEVATOR TRUNKING

TRUNKING FEATURES INCLUDE:

- Galvanized or powder coated construction.
- 14 ga., 12 ga., and 10 ga., available depending on size and height.
- Fixture-welded, structural angle iron flanges are continuously welded on the outside and stitch welded on the inside.
- Maintenance friendly 10' (3048mm) inspection section with 9' (2743.2mm) long opening at both front and back. Front and back panels can be removed in 3' (914.4mm) increments. The inspection door can be located in six different locations for ultimate flexibility.
- Durable, SOFR (static conductive, oil resistant and fire retardant) rubber belting.

Optional Features:

- Ladder and safety cage with rest platforms.
- Belt alignment and speed monitors.
- Trunking pressure relief vents.

BOLTED TIE ANGLE DESIGN

Unique bolted tie angle design provides rigidity, squareness to trunking and is independent of flange bolts.



STANDARD BUCKETS

Buckets are constructed of a durable non-sparking polyethylene. Optional steel, nylon or urethane buckets are also available.



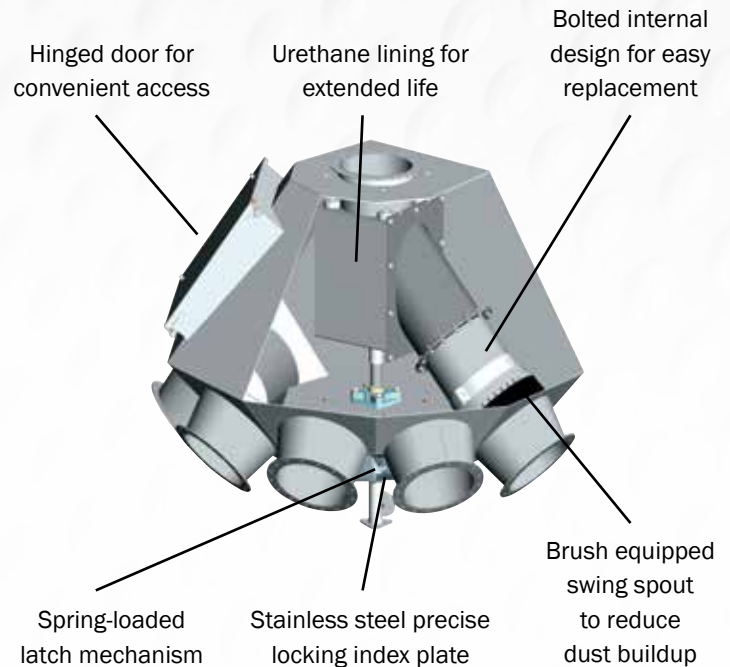
DISTRIBUTORS



GSI Distributors are galvanized for long life and minimum maintenance and are available in many sizes and models.

Distributor Features:

- 3/16" and 12 gauge body parts. Outlets flanged.
- Positive locking stainless steel index plate which offers protection from dust and harsh weather conditions is located under the distributor.
- Large throat on internal swing spout. Bottom lined with 1/4" urethane for extended wear.
- Swing spout turns on a 1.5" ball bearing. Heavy-duty shaft connects to control (cable and pipe controls available.)



GSI ELECTRONIC DISTRIBUTOR

The most advanced and user-friendly distributor controller on the market. An industry leading 6" color touch screen makes locating and moving spout locations easy. The controller is powered by a PLC with the ability to easily customize text and lock out specific spout numbers. The system uses cutting-edge electronic components and an efficient and compact drive configuration that ensures high reliability in even the toughest conditions. The GSI Electronic Distributor PLC control can be easily integrated into a larger grain network. A user can control the desired spout position from another PLC while the GSI system is responsible for moving and reporting the spout position. There are multiple protocol options for integrating an external controller, including ethernet and serial. This easy-to-operate unit can be retrofitted to any new or existing GSI brand distributor.



Electronic Distributor Features:

- Intuitive controls and menus.
- Industry leading HMI touch screen controls.
- Ability to interface with main farm/elevator network.
- Weather-proof controls (NEMA 4 rated).
- UL and UL-C listed for use in US and Canada.
- Direct drive configuration.
- High torque; 400:1 reduction with 1/2 hp 3-phase motor.
- Rotary position sensor for accurate positioning.



EN-MASSE CONVEYORS

CHAIN CONVEYORS

12", 14" AND 20" TALL EN-MASSE CONVEYORS

GSI 12", 14" and 20" En-Masse Conveyors offer many features to maximize performance and reduce operation costs. These conveyors feature heavy-duty construction and powder coat finish for superior durability and appearance. 12" and 14" tall conveyors use extended-mount flange bearings; 20" tall models feature external-mount pillow block bearings. Maintenance-friendly bolted doors allow easy access and removal of the shaft, sprocket and bearings as an assembly.



Head Section Features:

- Machined 1/4" (6.35mm) thick UHMW shaft seals.
- 10 ga. (3.41mm) housing on 12" and 14" conveyors, 7 ga. (4.55mm) on 20" models.
- Flame-cut, hardened steel sprockets. Split hubs available.
- Head shafts are turned ground and polished.



Tail Section Features:

- Chain tension take-up system uses corrosion-resistant acme threaded screws.
- 10 ga. (3.41mm) housing on 12" and 14" conveyors, 7 ga. (4.55mm) on 20" models.
- Flame-cut, hardened steel sprockets. Split hubs available.
- Tail shafts are turned ground and polished.



Intermediate Discharge Gate Features:

- Flush style design minimizes product mixing.
- Chain carry over bars are laser cut into 3/8" abrasion resistant plate bottom for superior alignment.
- Available in inline or cross cut styles.
- Options include factory mounting and electric drives.

Trough Section Features:

- Dust and weather-tight, heavy gauge, peaked covers on head, tail and intermediate trough.
- Abrasion resistant steel wear liners with recessed fasteners for removal or replacement.
- Bolted removable bottom construction.
- Standard 10 gauge (3.41mm) intermediate trough sides.
- Trough sections are fixture assembled for accurate alignment and ease of installation.
- Trough sections are flanged with structural angle to provide rigidity and accurate alignment.
- Standard chains are steel bushed roller chain to maximize life.
- 4" heavy welded available in 26" and 32" wide to accommodate longer lengths.
- UHMW flights prevent steel-to-steel contact.
- UHMW return rollers with shafts bolted to trough for easy maintenance and replacement are standard on 12" and 14" conveyors.
- Rail returns are standard on all 20" tall conveyors and optional on 16"x12" and all 14" conveyors. Rails are lined with 1/4" abrasion resistant steel and tapered end-to-end to minimize flight wear and maximize cleaning. Rails overlap at flange connections for smooth operation.
- Inlet options include by-pass inlets, by-pass dump hoppers, V-Style by-pass inlets and standard flanged inlets.

26", 32" AND 39" TALL EN-MASSE CONVEYORS

- For larger grain capacity requirements.
- 6" pitch-welded steel chain with v-cup flight attachments and factory-mounted paddles.
- Abrasion resistant steel wear liners with recessed fasteners for removal or replacement.
- Hinged head relief door with limit switch standard.
- Head and tail housing split for shaft and sprocket removal.
- Standard split sprockets.



HI-FLIGHT CONVEYORS

CHAIN CONVEYORS

GSI manufactures a complete line of Hi-Flight conveyors designed and engineered to minimize the length of delivery time. Available in 12", 14", 20", 27" and 39" tall.



Head Section Features:

- Externally mounted pillow block bearings are standard on all sizes.
- Flame-cut hardened steel sprockets. Split hubs available.
- Maintenance friendly bolted removable upper quarter section to allow removal of shaft, sprocket, and bearings as an assembly.
- Head shafts are turned ground and polished.
- Machined 1/4" (6.35mm) thick UHMW shaft seals.
- 12" and 14" are 10 ga. housing, 20" and 27" are 7 ga. housing, and 39" is 1/4" plate.

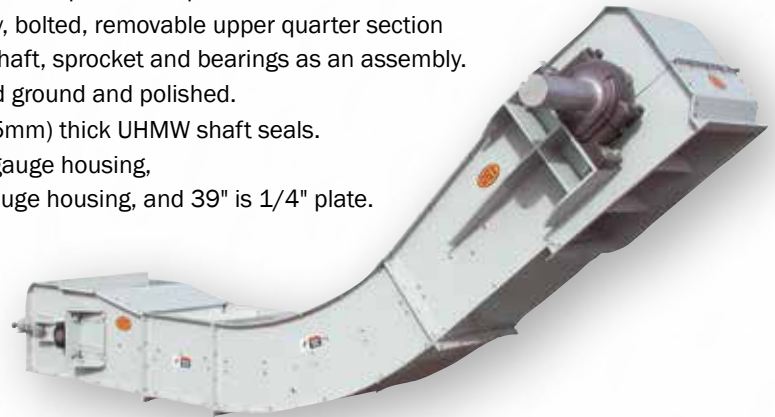


Tail Section Features:

- Externally mounted pillow block bearings are standard on all sizes.
- Chain tension take-up system uses corrosion-resistant acme threaded screws.
- Flame-cut hardened steel sprockets. Split hubs available.
- Maintenance friendly, bolted, removable upper quarter section to allow removal of shaft, sprocket and bearings as an assembly.
- Tail shafts are turned ground and polished.
- Machined 1/4" (6.35mm) thick UHMW shaft seals.
- 12" and 14" are 10 gauge housing, 20" and 27" are 7 gauge housing, and 39" is 1/4" plate.

Trough Section Features:

- Dust and weather-tight, heavy gauge, flat covers on head, tail and intermediate trough.
- Abrasion resistant steel wear liners with recessed fasteners for removal or replacement.
- Bolted removable bottom construction.
- Standard 10 gauge intermediate trough sides (7 gauge sides on 39" conveyors).
- Trough section is fixture assembled for accurate alignment and easy installation.
- Trough section is flanged with structural angle to provide rigidity and accurate alignment.
- Center pan returns are standard in trough section with optional rail returns in horizontal section only.
- Standard chains are steel bushed roller chain on 12", 14", 20" tall and 26"x27" conveyors to maximize life.
- 6" welded steel chain used in 36x27 and 36x39 tall conveyors.
- UHMW flights prevent steel-to-steel contact.
- Inlet options include by-pass inlets, by-pass dump hoppers, V-Style by-pass inlets and standard flanged inlets.
- Drive-over welded bar grating available for dump hoppers and standard bypass inlets. (not available for V-Style)



V-Style By-Pass Inlet



By-Pass Dump Hoppers are available



Optional welded bar grating with grain deflectors in 2' wide sections (bar grate supported by concrete)

GSI ENCLOSED BELT CONVEYORS

Ideal for long length runs, belt conveyors are an extremely efficient and gentle way to move grain, requiring less maintenance than other conveyor types.



A re-lagging door on both sides of the head allows for easy removal and installation of the slide lags without breaking the belt.



Head Section Features:

- 16" diameter slide lagged pulley, XT Bushing and hubs - 2" wider than belt.
- 24" diameter slide lagged pulley with 10" diameter snubber pulley on longer lengths of conveyors XT bushing and hubs - 2" wider than belt.
- 10 ga. reinforced housing.
- 12 ga. slide-off hood, 1/4" urethane lined front radius, door for plug switch in side of hood.
- Shafting of 1045 turned ground and polished steel.
- Dodge Imperial 2000 Series pillow block bearings with triple lip Trident seal, adapter lock collar and replaceable bearing insert, jack screws with shims for belt alignment.
- Optional low profile head.
- Optional 2-way valve.

Tail Section Features:

- 14" spiral wing type pulley with reloading rubber flippers at each end.
- Plow assembly between belts to move spilled material to side reloaders. Adjustable with replaceable skirting.
- 18", 24", 36" and 48" manual take-up with acme threads on take-up screws.
- Shafting of 1045 turned ground and polished steel.
- 3/16" thick take-up housing.
- Quick-detach or swing-up tail shroud for access to pulley (shown at left).

Intermediate Section Features:

- Anti-static UHMW bottom liners, 1/4" thick, bolted in slots to allow for thermal expansion.
- 10' intermediate sections with 5' clamp-on covers.
- 45° idler rollers placed every 5'.
- 12 ga. housing, 26" tall with 2" flange joints.
- Inspection doors at intermediate section next to head and tail section.
- Optional 1/2" UHMW bottom liner.
- Optional heavy idlers.
- Optional side service doors for roller removal.

Loader and Belt

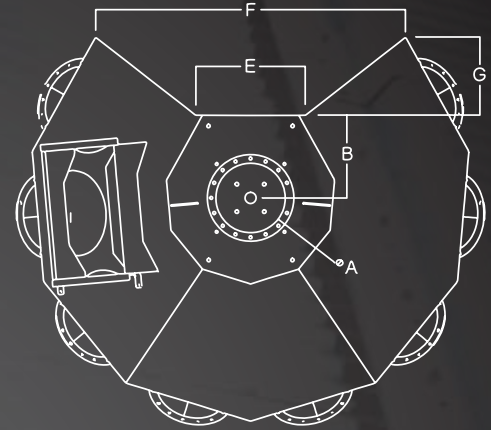
- Urethane lined loader (sides and rear), skirted, with matching spout angle frame.
- Pivoting UHMW skirts with stops on the conveyor with multiple inlets.
- Inspection door at the front of the loader.
- Flexco splice, 140EE, belt pre-punched at both ends.
- SOR-SC-FR rubber belting with tail reloading rubber flippers at splice.
- Optional ceramic tile liners.



DISTRIBUTOR SPECIFICATIONS

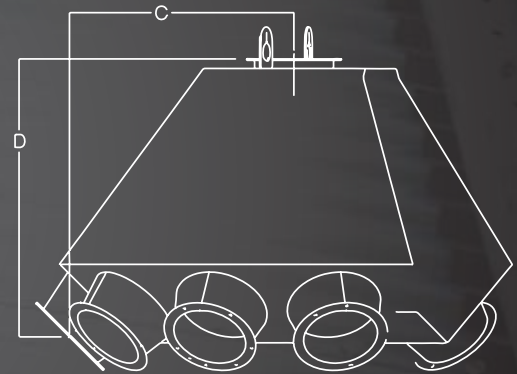
DIMENSIONS (US)

A	Outlets	B	C	D	E	F	G
6"	4 Hole	9-7/16"	21-13/16"	30-21/32"	-	-	-
	6 Hole	11-3/32"	21-13/16"	30-9/16"	42-9/16"	-	-
	8 Hole	10-3/32"	27-21/32"	35-1/32"	16"	50-19/32"	2-3/16"
8"	6 Hole	11-1/8"	21-13/16"	30-5/8"	42-9/16"	-	-
	8 Hole	12-1/8"	26-7/8"	35-11/16"	15-31/32"	46-3/8"	3-3/16"
	10 Hole	12-1/8"	34-5/8"	43-3/8"	15-15/16"	56-3/16"	10-7/16"
10"	6 Hole	12-1/8"	26-1/16"	33-1/8"	53-5/32"	-	-
	8 Hole	12-1/8"	29-13/16"	36-15/16"	15-15/16"	15-1/4"	11-7/16"
	10 Hole	12-1/8"	40-3/8"	47-1/2"	15-15/16"	66-13/16"	14-11/16"
12"	4 Hole	13-1/8"	28-1/8"	34-13/16"	24-3/4"	-	-
	6 Hole	13-1/8"	28-1/8"	34-13/16"	59-5/16"	-	-
	8 Hole	12-1/8"	35-1/16"	41-3/4"	15-15/16"	61-7/8"	11"
	10 Hole	13-3/32"	44-1/16"	51-17/32"	15-15/16"	73-15/16"	16-13/32"
14"	4 Hole	14-31/32"	32-29/32"	47-7/16"	29-3/16"	-	-
	6 Hole	15"	32-29/32"	46-27/32"	67-27/32"	-	-
	8 Hole	12-1/8"	40-5/16"	48-7/8"	15-15/16"	70-11/16"	14-1/4"



DIMENSIONS (METRIC)

A (mm)	Outlets	B (mm)	C (mm)	D (mm)	E (mm)	F (mm)	G (mm)
152.4	4 Hole	239.7	554.0	778.7	-	-	-
	6 Hole	281.8	554.0	776.3	1081.1	-	-
	8 Hole	256.4	702.5	889.8	406.4	1285.1	55.6
203.2	6 Hole	282.6	554.0	777.9	1081.1	-	-
	8 Hole	308.0	682.6	906.5	405.6	923.9	81.0
	10 Hole	308.0	879.5	1101.7	404.8	1427.2	265.1
254.0	6 Hole	308.0	662.0	841.4	1350.2	-	-
	8 Hole	308.0	757.2	938.2	404.8	387.4	290.5
	10 Hole	308.0	1025.5	1206.5	404.8	1697.0	373.1
304.8	4 Hole	333.4	714.4	884.2	628.7	-	-
	6 Hole	333.4	714.4	884.2	1506.5	-	-
	8 Hole	308.0	890.6	1060.5	404.8	1571.6	279.4
	10 Hole	332.6	1119.2	1308.9	404.8	1878.0	416.7
355.6	4 Hole	380.2	835.8	1204.9	741.4	-	-
	6 Hole	381.0	835.8	1189.8	1723.2	-	-
	8 Hole	308.0	1023.9	1241.4	404.8	1795.5	362.0



* All 4 and 6 hole distributors are flat back.

* All 8 and 10 hole distributors are wing back.

BUCKET ELEVATOR SPECIFICATIONS

CAPACITIES (US)

CAPACITIES (METRIC)

MODEL	PULLEY	BPH	CFH	RPM	FPM	BUCKET SIZE (INCHES)	BUCKET SPACING (INCHES)	TRUNKING SIZE (INCHES)	MTH	M/S	BUCKET SIZE (MM)	BUCKET SPACING (MM)	TRUNKING SIZE (MM)
15P16/15G16	16	1,500	1,875	95	423	9 X 5	9	10 X 16	38	2.15	228 X 127	228	254 X 406
20P16/20G16	16	2,000	2,500	95	423	9 X 5	7	10 X 16	51	2.15	228 X 127	178	254 X 406
25P16/25G16	16	2,500	3,125	95	423	9 X 5	6	10 X 16	63	2.15	228 X 127	153	254 X 406
30P16/30G16	16	3,000	3,750	95	423	9 X 6	7	10 X 16	76	2.15	228 X 153	178	254 X 406
35P16/35G16	16	3,500	4,375	95	423	9 X 6	5.5	10 X 16	89	2.15	228 X 153	140	254 X 406
30P24/30G24	24	3,000	3,750	73	478	10 X 6	8.5	10 X 16	76	2.43	254 X 153	216	254 X 406
40P24/40G24	24	4,000	5,000	73	478	10 X 6	7	10 X 16	101	2.43	254 X 153	178	254 X 406
50P24/50G24	24	5,000	6,250	73	478	11 X 6 Lp	5.5	10 X 16	127	2.43	279 X 153	140	254 X 406
56P24/56G24	24	5,600	7,000	73	478	11 X 6 Lp	5	10 X 16	142	2.43	279 X 153	127	254 X 406
50P30/50G30	30	5,000	6,250	67	544	13 X 6	8	12 X 18	127	2.76	330 X 153	203	304 X 457
60P30/60G30	30	6,000	7,500	67	544	13 X 6	7	12 X 18	152	2.76	330 X 153	178	304 X 457
70P30/70G30	30	7,000	8,750	67	544	13 X 7	8	12 X 18	177	2.76	330 X 178	203	304 X 457
50P36/50G36	36	5,000	6,250	64	620	12 X 6	8.5	12 X 18	127	3.15	305 X 153	216	304 X 457
60P36/60G36	36	6,000	7,500	64	620	12 X 6	7.5	12 X 18	152	3.15	305 X 153	191	304 X 457
70P36/70G36	36	7,000	8,750	64	620	13 X 7	9	12 X 18	177	3.15	330 X 178	228	304 X 457
75P36/75G36	36	7,500	9,375	64	620	13 X 7	8.5	12 X 18	191	3.15	330 X 178	216	304 X 457
80P36/80G36	36	8,000	10,000	64	620	13 X 7	8	12 X 18	204	3.15	330 X 178	203	304 X 457
100P36/100G36	36	10,000	12,500	64	620	13 X 7 Lp	6	12 X 18	255	3.15	330 X 178	153	304 X 457
80P42/80G42	42	8,000	10,000	60	675	14 X 7	9	14 X 22	204	3.43	355 X 178	228	355 X 558
100P42/100G42	42	10,000	12,500	60	675	14 X 8	10.5	14 X 22	255	3.43	355 X 203	267	355 X 558
120P42/120G42	42	12,000	15,000	60	675	16 X 8	10.5	14 X 22	306	3.43	406 X 203	267	355 X 558
150P42/150G42	42	15,000	18,750	60	675	16 X 8 Lp	7.5	14 X 22	382	3.43	406 X 203	191	355 X 558
200P42/200G42	42	20,000	25,000	60	675	20 X 8 Lp	7	14 X 26	510	3.43	508 X 203	178	355 X 660
150P48/150G48	48	15,000	18,750	56	720	16 X 8	9	14 X 26	382	3.65	406 X 203	228	355 X 660
200P48/200G48	48	20,000	25,000	56	720	20 X 8 Lp	7.5	14 X 26	510	3.65	508 X 203	191	355 X 660
200P48/200G48	48	20,000	25,000	52	667	20 X 10	11	16 X 26	510	3.39	508 X 254	279	406 X 660
250P42	42	25,000	31,250	60	675	(2) 14 X 8 Lp	7.5	14 X 38	637	3.43	(2) 355 X 203	191	355 X 965
300P42	42	30,000	37,500	60	675	(2) 16 X 8 Lp	7.5	14 X 42	760	3.43	(2) 406 X 203	191	355 X 1066
400P42	42	40,000	50,000	60	675	(2) 20 X 8 Lp	7	14 X 50	1013	3.43	(2) 508 X 203	178	355 X 1270
250P48	48	25,000	31,250	56	720	(2) 14 X 8	9	14 X 38	637	3.65	(2) 355 X 203	228	355 X 965
300P48	48	30,000	37,500	56	720	(2) 16 X 8	9	14 X 42	760	3.65	(2) 406 X 203	228	355 X 1066
400P48	48	40,000	50,000	56	720	(2) 20 X 8 Lp	7.5	14 X 50	1013	3.65	(2) 508 X 203	191	355 X 1270
400P48	48	40,000	50,000	56	720	(3) 16 X 8	9.5	14 X 60	1013	3.65	(3) 406 X 203	241	355 X 1524
500P48	48	50,000	62,500	56	720	(3) 16 X 8 Lp	7	14 X 60	1267	3.65	(3) 406 X 203	178	355 X 1524
500P48	48	50,000	62,500	56	720	(3) 20 X 8	9.5	16 X 72	1267	3.65	(3) 508 X 203	241	406 X 1829
600P48	48	60,000	75,000	56	720	(3) 20 X 8 Lp	7.5	16 X 72	1520	3.65	(3) 508 X 203	191	406 X 1829

- Capacities based on dry, free flowing, granular material with proper loading and unloading conditions at 45#/CF. (721kg/m³) using conservative cup capacities per manufacturer's recommendations.
- General specifications and dimensions are subject to change without notice.
- General specifications and dimensions are intended to provide sales assistance and preliminary guide to system layout only.



BUCKET ELEVATOR SPECIFICATIONS

SINGLE ROW DIMENSIONS (IN.)

PULLEY SIZE	16	24	30	36	42	42	48
BPH	1500-3000	3000-5600	5000-7000	5000-10000	8000-15000	20000	14000-20000
CFH	1875-3750	3750-7000	6250-8750	6250-12500	10000-18750	25000	17500-25000
A	34"	42"	52"	58"	67"	67"	73"
B	60"	60"	60"	60"	72"	72"	72"
C	14"	22"	28"	34"	39"	39"	45"
D	10"	10"	12"	12"	14"	14"	14"
E	16"	16"	18"	18"	22"	26"	26"
F	36"	36"	46.5"	46.5"	58.5"	58.5"	58.5"
G	29"	33"	42"	48"	60"	60"	60"
H	58"	66"	84"	96"	108"	108"	120"
I	65"	69"	88.5"	94.5"	118.5"	118.5"	118.5"
J	12"	12"	14"	20"	19"	19"	23"
K	12"	12"	18"	18"	22"	22"	24"
L	16"	16"	18"	18"	22"	26"	26"
M	35"	42"	50"	53"	62"	66"	69"
N	14"	16"	20"	20"	24"	28"	28"
O	10"	13"	14"	14"	16"	18"	18"
P	21"	26"	30"	33"	38"	38"	41"
S	30"	30"	37"	33"	50"	50"	62"
T	49"	41"	61"	56"	76"	75"	86"
U	39"	39"	24"	23"	28"	44"	52"
V	52"	52"	52"	52"	53"	53"	58"
W	122"	122"	137"	137"	171"	188"	212"
X	47"	47"	58"	56"	41"	40"	43"
Y	47"	47"	44"	44"	53"	66"	67"
Z	112"	112"	124"	123"	120"	136"	140"

TWO ROW DIMENSIONS (IN.)

PULLEY SIZE	42-250	42-300	42-400	48-250	48-300	48-400
BPH	25000	30000	40000	25000	30000	40000
CFH	31250	37500	50000	31250	37500	50000
A	67"	67"	67"	73"	73"	73"
B	72"	72"	72"	72"	72"	72"
C	39"	39"	39"	45"	45"	45"
D	14"	14"	14"	14"	14"	14"
E	38"	42"	50"	38"	42"	50"
F	58.5"	58.5"	58.5"	58.5"	58.5"	58.5"
G	60"	60"	60"	60"	60"	60"
H	108"	108"	108"	120"	120"	120"
I	118.5"	118.5"	118.5"	118.5"	118.5"	118.5"
J	19"	19"	19"	23"	23"	23"
K	22"	22"	22"	24"	24"	24"
L	38"	42"	50"	38"	42"	50"
M	62"	62"	62"	69"	69"	69"
N	24"	24"	24"	28"	28"	28"
O	30"	36"	42"	30"	34"	42"
P	38"	38"	38"	41"	41"	41"
S	50"	50"	50"	62"	62"	62"

THREE ROW DIMENSIONS (IN.)

PULLEY SIZE	48-400	48-500	48-500	48-600
BPH	40000	50000	50000	60000
CFH	50000	62500	62500	75000
A	73"	73"	76"	76"
B	72"	72"	84"	84"
C	45"	45"	44"	44"
D	14"	14"	16"	16"
E	60"	60"	72"	72"
F	58.5"	58.5"	58.5"	58.5"
G	60"	60"	60"	60"
H	120"	120"	123"	123"
I	118.5"	118.5"	118.5"	118.5"
J	23"	23"	23"	23"
K	24"	24"	24"	24"
L	60"	60"	72"	72"
M	69"	69"	81"	81"
N	28"	28"	28"	28"
O	52"	52"	64"	64"
P	41"	41"	51"	51"
S	62"	62"	62"	62"

SINGLE ROW DIMENSIONS (MM)

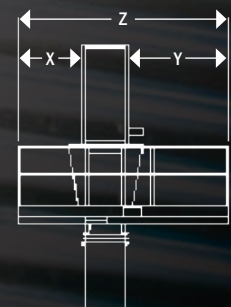
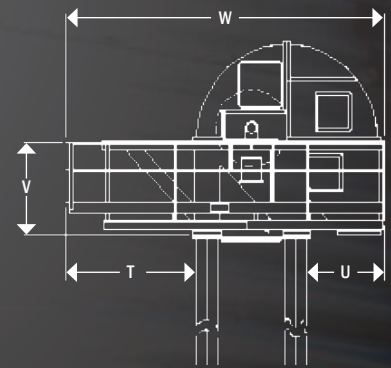
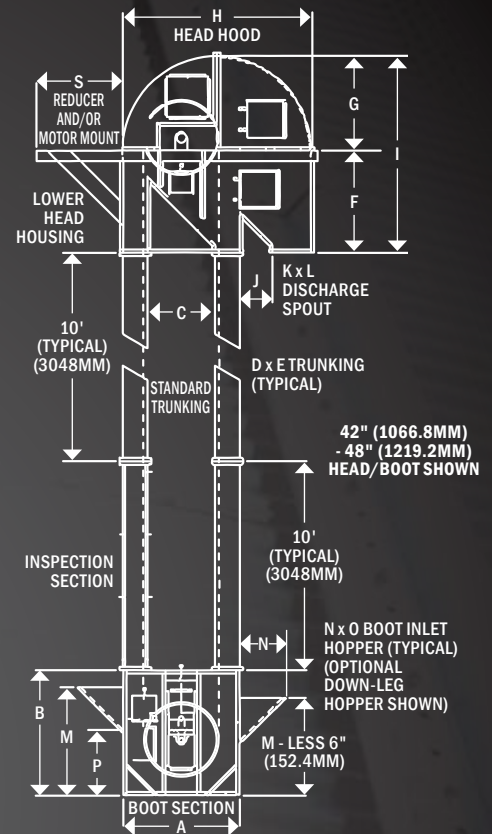
PULLEY SIZE	406	610	762	914	1066	1066	1219
MTH	38-76	102-142	127-177	127-254	204-381	510	356-510
CFH	1875-3750	3750-7000	6250-8750	6250-12500	10000-18750	25000	17500-25000
A	864	1067	1321	1473	1702	1702	1854
B	1524	1524	1524	1524	1829	1829	1829
C	356	559	711	864	991	991	1143
D	254	254	305	305	356	356	356
E	406	406	457	457	559	660	660
F	914	914	1181	1181	1486	1486	1486
G	737	838	1067	1219	1524	1524	1524
H	1473	1676	2134	2438	2743	2743	3048
I	1651	1753	2248	2400	3010	3010	3010
J	305	305	356	508	483	483	584
K	305	305	457	457	559	559	610
L	406	406	457	457	559	660	660
M	889	1067	1270	1346	1575	1676	1753
N	356	406	508	508	610	711	711
O	254	330	356	356	406	457	457
P	533	660	762	838	965	965	1041
S	762	762	940	864	1270	1270	1575
T	1244	1041	1549	1422	1930	1905	2184
U	990	990	609	584	711	1118	1321
V	1320	1320	1320	1320	1346	1346	1473
W	3098	3098	3479	3479	4343	4775	5385
X	1194	1194	1473	1422	1041	1016	1092
Y	1194	1194	1118	1118	1346	1676	1702
Z	2845	2845	3150	3124	3048	3454	3556

TWO ROW DIMENSIONS (MM)

PULLEY SIZE	1066	1066	1066	1219	1219	1219
MTH	637	765	1020	637	765	1020
CFH	31250	37500	50000	31250	37500	50000
A	1702	1702	1702	1854	1854	1854
B	1829	1829	1829	1829	1829	1829
C	991	991	991	1143	1143	1143
D	356	356	356	356	356	356
E	965	1067	1270	965	1067	1270
F	1486	1486	1486	1486	1486	1486
G	1524	1524	1524	1524	1524	1524
H	2743	2743	2743	3048	3048	3048
I	3010	3010	3010	3010	3010	3010
J	483	483	483	584	584	584
K	559	559	559	610	610	610
L	965	1067	1270	965	1067	1270
M	1575	1575	1575	1753	1753	1753
N	610	610	610	711	711	711
O	762	914	1067	762	864	1067
P	965	965	965	1041	1041	1041
S	1270	1270	1270	1575	1575	1575

THREE ROW DIMENSIONS (MM)

PULLEY SIZE	1219	1219	1219	1219
MTH	1020	1267	1267	1520
CFH	50000	62500	62500	75000
A	1854	1854	1930	1930
B	1829	1829	2134	2134
C	1143	1143	1118	1118
D	356	356	406	406
E	1524	1524	1829	1829
F	1486	1486	1486	1486
G	1524	1524	1524	1524
H	3048	3048	3124	3124
I	3010	3010	3010	3010
J	584	584	584	584
K	610	610	610	610
L	1524	1524	1829	1829
M	1753	1753	2057	2057
N	711	711	711	711
O	1321	1321	1626	1626
P	1041	1041	1295	1295
S	1575	1575	1575	1575



EN-MASSE 12"/14"/20" SPECIFICATIONS

CAPACITIES (BPH/US)

SIZE (W x H)	1*	100*	110*	120*	130*	140*	150*	160*	170*	180*
9" x 12"	21	2100	2310	2520	2730	2940	3150	3360	3570	3780
12" x 12"	28	2800	3080	3360	3640	3920	4200	4480	4760	5040
16" x 12"	37	3700	4070	4440	4810	5180	5550	5920	6290	6660
16" x 14"	45	4500	4950	5400	5850	6300	6750	7200	7650	8100
21" x 14"	60	5950	6545	7140	7735	8330	8925	9520	10115	10710
14" x 20"	65	6500	7150	7800	8450	9100	9750	10400	11050	11700
16" x 20"	75	7450	8195	8940	9685	10430	11175	11920	12665	13410
20" x 20"	93	9300	10230	11160	12090	13020	13950	14880	15810	16740
26" x 20"	121	12100	13310	14520	15730	16940	18150	19360	20570	21780
32" x 20"	142	14200	15620	17040	18460	19880	21300	22720	24140	25560

* Feet per Minute

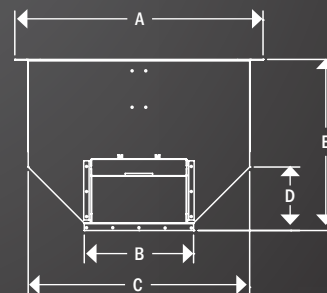
CAPACITIES (MTH/METRIC)

SIZE (W x H)	1	100	110	120	130	140	150	160	170	180
228.6 x 304.8	0.5	53.6	58.9	64.3	69.6	75.0	80.3	85.7	91.0	96.4
304.8 x 304.8	0.7	71.4	78.5	85.7	92.8	100.0	107.1	114.2	121.4	128.5
406.4 x 304.8	0.9	94.4	103.8	113.2	122.7	132.1	141.5	151.0	160.4	169.8
406.4 x 355.6	1.1	114.8	126.2	137.7	149.2	160.7	172.1	183.6	195.1	206.6
533.4 x 355.6	1.5	151.7	166.9	182.1	197.2	212.4	227.6	242.8	257.9	273.1
355.6 x 508.0	1.7	165.8	182.3	198.9	215.5	232.1	248.6	265.2	281.8	298.4
406.4 x 508.0	1.9	190.0	209.0	228.0	247.0	266.0	285.0	304.0	323.0	342.0
508.0 x 508.0	2.4	237.2	260.9	284.6	308.3	332.0	355.7	379.4	403.2	426.9
660.4 x 508.0	3.1	308.6	339.4	370.3	401.1	432.0	462.8	493.7	524.5	555.4
812.8 x 508.0	3.6	362.1	398.3	434.5	470.7	506.9	543.2	579.4	615.6	651.8

10' BY-PASS DUMP HOPPER DIMENSIONS (IN.)

SIZE (W x H)	A	B	C	D	E
9" x 12"	50.5	12	44.63	18	30.25
12" x 12"	50.5	15	44.63	16.5	30.25
16" x 12"	50.5	19	44.63	14.5	30.25
16" x 14"	54.5	19	48.63	16.5	37.63
21" x 14"	54.5	24	48.63	14	37.63
14" x 20"	66.5	18	60.63	23.44	44.06
16" x 20"	66.5	20	60.63	22.44	44.06
20" x 20"	66.5	24	60.63	20.44	44.06
26" x 20"	66.5	30	60.63	17.44	44.06
32" x 20"	66.5	36	60.63	14.44	50.06

10' BY-PASS DUMP

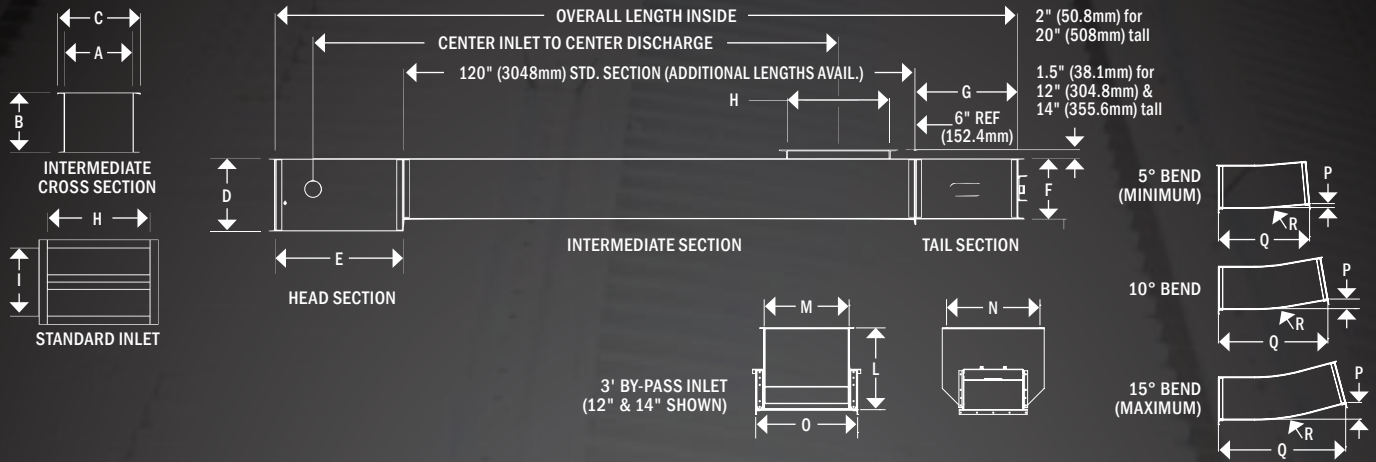


Dimension does not include projection of lining bolts.

10' BY-PASS DUMP HOPPER DIMENSIONS (MM)

SIZE (W x H)	A	B	C	D	E
228.6 x 304.8	1282.7	304.8	1133.6	457.2	768.4
304.8 x 304.8	1282.7	381.0	1133.6	419.1	768.4
406.4 x 304.8	1282.7	482.6	1133.6	368.3	768.4
406.4 x 355.6	1384.3	482.6	1228.3	419.1	955.8
533.4 x 355.6	1384.3	609.6	1228.3	355.6	955.8
355.6 x 508.0	1689.1	457.2	1540.0	595.4	1119.1
406.4 x 508.0	1689.1	508.0	1540.0	570.0	1119.1
508.0 x 508.0	1689.1	609.6	1540.0	519.2	1119.1
660.4 x 508.0	1689.1	762.0	1540.0	443.0	1119.1
812.8 x 508.0	1689.1	914.4	1540.0	366.8	1271.5

EN-MASSE 12"/14"/20" SPECIFICATIONS



DIMENSIONS (IN.)

SIZE (W x H)	A	B	C	D	E	F	G	H	I	L	M	N	O*
9" x 12"	9	12	13	15	24	12	24	24	9	20.75	30	21	36
12" x 12"	12	12	16	15	24	12	24	24	12	22.25	30	24	36
16" x 12"	16	12	20	15	24	12	24	24	16	24.25	30	28	36
16" x 14"	16	14	20	17	30	14	24	24	16	26.25	30	28	36
21" x 14"	21	14	25	17	30	14	24	24	21	28.75	30	33	36
14" x 20"	14	20	19	23	36	20	30	24	14	31	36	34	36
16" x 20"	16	20	21	23	36	20	30	24	16	32	36	36	36
20" x 20"	20	20	25	23	36	20	30	24	20	34	36	40	36
26" x 20"	26	20	31	23	36	20	30	24	26	37	36	46	36
32" x 20"	32	20	37	23	36	20	30	24	32	40	36	52	36

BEND SECTION DIMENSIONS (IN.)

SIZE (W x H)	5° BEND			10° BEND			15° BEND		
	P	Q	R	P	Q	R	P	Q	R
9" x 12"	1.32	30.22	71.87	3.18	36.3	71.87	5.55	42.19	71.87
12" x 12"	1.32	30.22	71.87	3.18	36.3	71.87	5.55	42.19	71.87
16" x 12"	1.32	30.22	71.87	3.18	36.3	71.87	5.55	42.19	71.87
16" x 14"	1.32	30.22	71.87	3.18	36.3	71.87	5.55	42.19	71.87
21" x 14"	1.32	30.22	71.87	3.18	36.3	71.87	5.55	42.19	71.87
14" x 20"	1.41	32.31	95.87	3.54	40.47	95.87	6.37	48.4	95.87
16" x 20"	1.41	32.31	95.87	3.54	40.47	95.87	6.37	48.4	95.87
20" x 20"	1.41	32.31	95.87	3.54	40.47	95.87	6.37	48.4	95.87
26" x 20"	1.41	32.31	95.87	3.54	40.47	95.87	6.37	48.4	95.87
32" x 20"	1.41	32.31	95.87	3.54	40.47	95.87	6.37	48.4	95.87

DIMENSIONS (MM)

SIZE (W x H)	A	B	C	D	E	F	G	H	I	L	M	N	O*
228.6 x 304.8	228.6	304.8	325.1	381.0	609.6	304.8	609.6	609.6	228.6	527.1	762.0	533.4	914.4
304.8 x 304.8	304.8	304.8	401.3	381.0	609.6	304.8	609.6	609.6	304.8	565.2	762.0	609.6	914.4
406.4 x 304.8	406.4	304.8	502.9	381.0	609.6	304.8	609.6	609.6	406.4	616.0	762.0	711.2	914.4
406.4 x 355.6	406.4	355.6	502.9	431.8	762.0	355.6	609.6	609.6	406.4	666.8	762.0	711.2	914.4
533.4 x 355.6	533.4	355.6	629.9	431.8	762.0	355.6	609.6	609.6	533.4	730.3	762.0	838.2	914.4
355.6 x 508.0	355.6	508.0	477.5	584.2	914.4	508.0	762.0	609.6	355.6	787.4	914.4	863.6	914.4
406.4 x 508.0	406.4	508.0	528.3	584.2	914.4	508.0	762.0	609.6	406.4	812.8	914.4	914.4	914.4
508.0 x 508.0	508.0	508.0	629.9	584.2	914.4	508.0	762.0	609.6	508.0	863.6	914.4	1016.0	914.4
660.4 x 508.0	660.4	508.0	782.3	584.2	914.4	508.0	762.0	609.6	660.4	939.8	914.4	1168.4	914.4
812.8 x 508.0	812.8	508.0	934.7	584.2	914.4	508.0	762.0	609.6	812.8	1016.0	914.4	1320.8	914.4

* 36" standard length.
Longer lengths are available.

GENERAL NOTES:
Capacities based on dry, free flowing, granular material conveyed horizontally with proper loading and discharging conditions at 45#/CF. (721 kg/m³).

Capacities based on using top load inlets. By-pass inlets will reduce capacity on 32x20's. Consult inside sales. General specifications and dimensions are subject to change without notice. General specifications and dimensions are intended to provide sales assistance and a preliminary guide to system layout only.

BEND SECTION DIMENSIONS (MM)

SIZE (W x H)	5° BEND			10° BEND			15° BEND		
	P	Q	R	P	Q	R	P	Q	R
228.6 x 304.8	33.51	767.54	1825.5	80.65	921.94	1825.5	141.07	1071.68	1825.5
304.8 x 304.8	33.51	767.54	1825.5	80.65	921.94	1825.5	141.07	1071.68	1825.5
406.4 x 304.8	33.51	767.54	1825.5	80.65	921.94	1825.5	141.07	1071.68	1825.5
406.4 x 355.6	33.51	767.54	1825.5	80.65	921.94	1825.5	141.07	1071.68	1825.5
533.4 x 355.6	33.51	767.54	1825.5	80.65	921.94	1825.5	141.07	1071.68	1825.5
355.6 x 508.0	35.81	820.67	2435	89.92	1027.81	2435	161.85	1229.46	2435
406.4 x 508.0	35.81	820.67	2435	89.92	1027.81	2435	161.85	1229.46	2435
508.0 x 508.0	35.81	820.67	2435	89.92	1027.81	2435	161.85	1229.46	2435
660.4 x 508.0	35.81	820.67	2435	89.92	1027.81	2435	161.85	1229.46	2435
812.8 x 508.0	35.81	820.67	2435	89.92	1027.81	2435	161.85	1229.46	2435

EN-MASSE 26"/32"/39" TALL SPECIFICATIONS

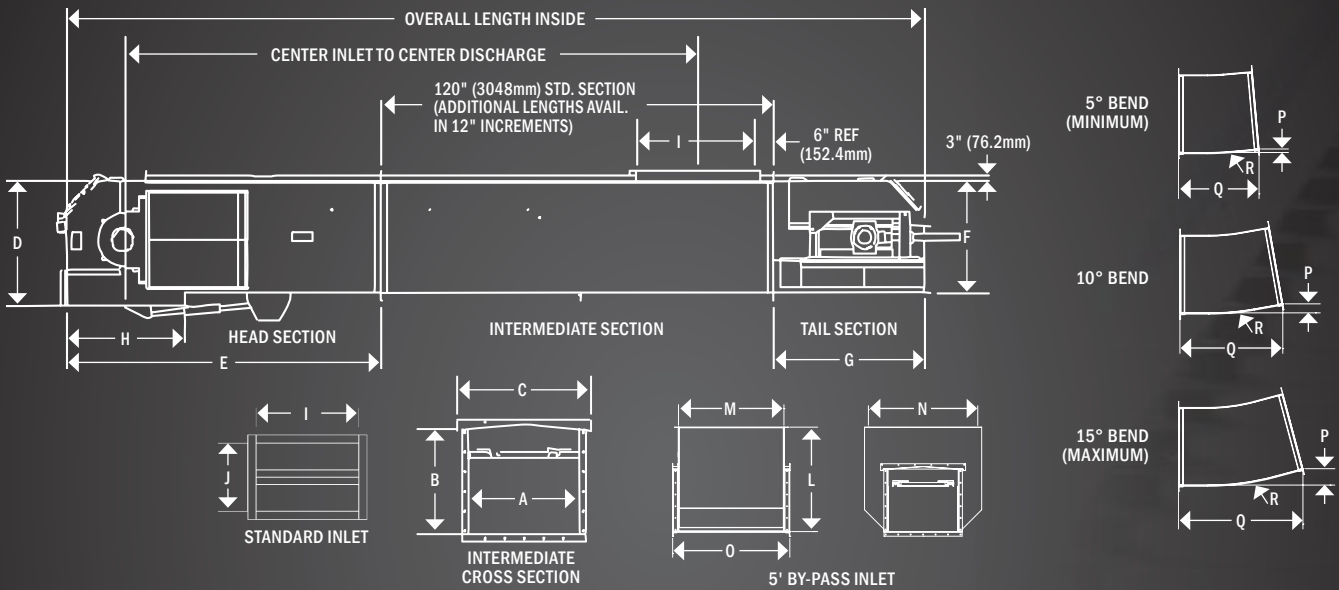
CAPACITIES (BPH/US)

SIZE (W x H)	1*	100*	110*	120*	130*	140*	150*	160*	170*	180*
26" x 26"	148	14800	16280	17760	19240	20720	22200	23680	25160	26640
32" x 26"	182	18200	20020	21840	23660	25480	27300	29120	30940	32760
32" x 32"	233	23300	25630	27960	30290	32620	34950	37280	39610	41940
36" x 32"	262	26200	28820	31440	34060	36680	39300	41920	44540	47160
36" x 39"	342	34200	37620	41040	44460	47880	51300	54720	58140	61560

CAPACITIES (MTH/METRIC)

SIZE (W x H)	1	100	110	120	130	140	150	160	170	180
660.4 x 660.4	3.8	377.4	415.1	452.9	490.6	528.4	566.1	603.8	641.6	679.3
812.8 x 660.4	4.6	464.1	510.5	556.9	603.3	649.7	696.2	742.6	789.0	835.4
812.8 x 812.8	5.9	594.2	653.6	713.0	772.4	831.8	891.2	950.6	1010.1	1069.5
914.4 x 812.8	6.7	668.1	734.9	801.7	868.5	935.3	1002.2	1069.0	1135.8	1202.6
914.4 x 990.6	8.7	868.7	955.6	1042.4	1129.3	1216.2	1303.0	1389.9	1476.8	1563.6

* Feet per Minute



DIMENSIONS (IN.)

SIZE (W x H)	A	B	C	D	E	F	G	H	I	J	L	M	N	O*
26" x 26"	26	26	33.5	30	96	26	46	36	30	26	42.5	54	46	60
32" x 26"	32	26	39.5	30	96	26	46	36	30	32	45.5	54	52	60
32" x 32"	32	32	39.5	36	96	32	46	36	36	32	51.5	54	52	60
36" x 32"	36	32	43.5	36	96	32	46	36	36	36	53.5	54	56	60

DIMENSIONS (MM)

SIZE (W x H)	A	B	C	D	E	F	G	H	I	J	L	M	N	O*
660.4 x 660.4	660.4	660.4	850.9	762	2438.4	660.4	1168.4	914.4	762	660.4	1079.5	1371.6	1168.4	1524
812.8 x 660.4	812.8	660.4	1003.3	762	2438.4	660.4	1168.4	914.4	762	812.8	1155.7	1371.6	1320.8	1524
812.8 x 812.8	812.8	812.8	1003.3	914.4	2438.4	812.8	1168.4	914.4	914.4	812.8	1308.1	1371.6	1320.8	1524
914.4 x 812.8	914.4	812.8	1104.9	914.4	2438.4	812.8	1168.4	914.4	914.4	914.4	1358.9	1371.6	1422.4	1524

* 60" standard length. Longer lengths are available.

BEND SECTION DIMENSIONS (IN.)

SIZE (W x H)	5° BEND			10° BEND			15° BEND		
	P	Q	R	P	Q	R	P	Q	R
26" x 26"	1.44	33.38	107.88	3.75	42.56	107.88	6.81	51.5	107.88
32" x 26"	1.44	33.38	107.88	3.75	42.56	107.88	6.81	51.5	107.88
32" x 32"	1.44	33.38	107.88	3.75	42.56	107.88	6.81	51.5	107.88
36" x 32"	1.44	33.38	107.88	3.75	42.56	107.88	6.81	51.5	107.88

BEND SECTION DIMENSIONS (MM)

SIZE (W x H)	5° BEND			10° BEND			15° BEND		
	P	Q	R	P	Q	R	P	Q	R
660.4 x 660.4	36.51	847.73	2740.03	95.25	1081.09	2740.03	173.038	1308.1	2740.03
812.8 x 660.4	36.51	847.73	2740.03	95.25	1081.09	2740.03	173.038	1308.1	2740.03
812.8 x 812.8	36.51	847.73	2740.03	95.25	1081.09	2740.03	173.038	1308.1	2740.03
914.4 x 812.8	36.51	847.73	2740.03	95.25	1081.09	2740.03	173.038	1308.1	2740.03

GENERAL NOTES:

Capacities based on dry, free flowing, granular material conveyed horizontally with proper loading and discharging conditions at 45#/CF. (721 kg/m³). Capacities based on using top load inlets. By-pass inlets will reduce capacity. Consult inside sales General specifications and dimensions are subject to change without notice. General specifications and dimensions are intended to provide sales assistance and a preliminary guide to system layout only.

ENCLOSED BELT CONVEYOR SPECIFICATIONS

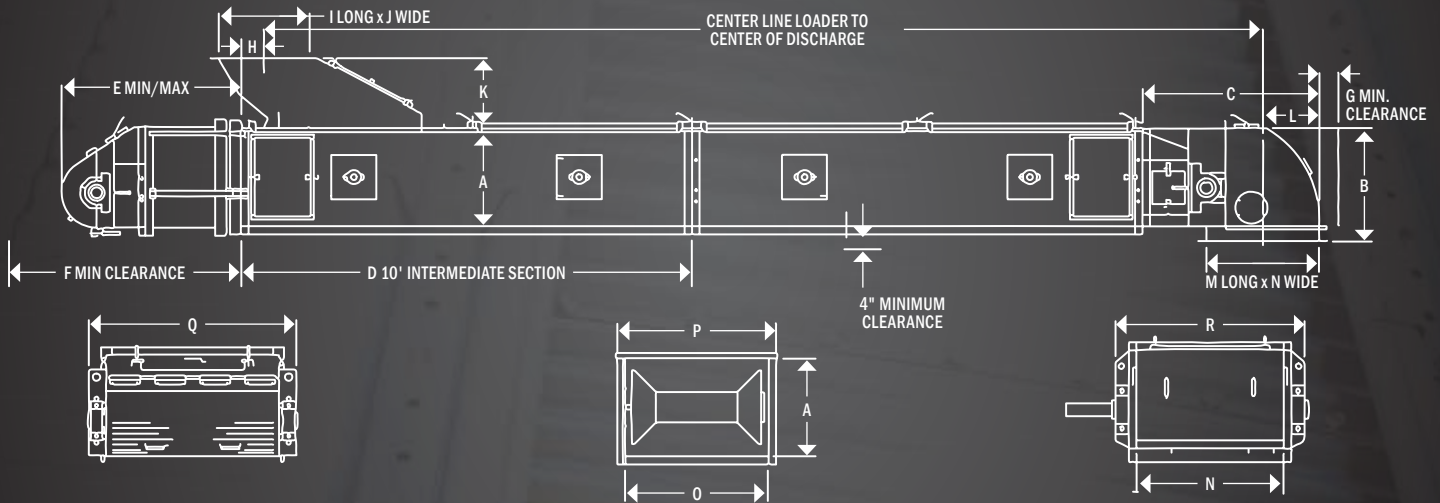
CAPACITIES (US)

CAPACITY			MODEL					
BPH	CFH	MTH	24*	30*	36*	42*	48*	54*
8000	10000	204	450	-	-	-	-	-
10000	12500	255	563	-	-	-	-	-
12000	15000	306	650	400	-	-	-	-
15000	18750	383	-	500	-	-	-	-
20000	25000	510	-	650	480	-	-	-
25000	31250	638	-	-	600	-	-	-
30000	37500	765	-	-	700	550	-	-
35000	43750	893	-	-	-	640	-	-
40000	50000	1021	-	-	-	750	600	500
45000	56250	1148	-	-	-	-	675	550
50000	62500	1276	-	-	-	-	750	625
57000	71250	1454	-	-	-	-	-	700

CAPACITIES (METRIC)

CAPACITY			MODEL					
BPH	CFH	MTH	24	30	36	42	48	54
8000	10000	204	2.28	-	-	-	-	-
10000	12500	255	2.86	-	-	-	-	-
12000	15000	306	3.30	2.03	-	-	-	-
15000	18750	383	-	2.54	-	-	-	-
20000	25000	510	-	3.30	2.44	-	-	-
25000	31250	638	-	-	3.05	-	-	-
30000	37500	765	-	-	3.56	2.79	-	-
35000	43750	893	-	-	-	3.25	-	-
40000	50000	1021	-	-	-	3.81	3.05	2.54
45000	56250	1148	-	-	-	-	3.43	2.79
50000	62500	1276	-	-	-	-	3.81	3.18
57000	71250	1454	-	-	-	-	-	3.56

* Belt Speed in Feet Per Minute. Capacities based on dry, free flowing, granular material at 45 Lbs/CF (721 Kg/CM) at horizontal.



DIMENSIONS (IN.)

MODEL	A	B	C	D	E MIN	E MAX	F*	G	H	I	J	K	L	M	N	O	P	Q	R
24	26	30	47	120	48	66	76	5	6	24	14	19	15	30	27	26	30	43	38
30	26	30	47	120	48	66	76	5	6	24	16	19	15	30	33	32	36	49	44
36	26	30	47	120	48	66	76	5	6	24	22	19	15	30	39	38	42	55	50
42	26	30	47	120	48	66	76	5	6	24	28	19	15	30	45	44	48	61	56
48	26	30	47	120	48	66	76	5	6	24	34	19	15	30	51	50	54	67	62
54	26	30	47	120	48	66	76	5	6	24	40	19	15	30	57	56	60	73	68

* Based on 18" take-up. For actual take-up, see approval drawing.

DIMENSIONS (MM)

MODEL	A	B	C	D	E MIN	E MAX	F*	G	H	I	J	K	L	M	N	O	P	Q	R
24	660	765	1196	3048	1215	1670	1930	127	152	610	356	478	381	762	686	660	767	1097	972
30	660	765	1196	3048	1215	1670	1930	127	152	610	406	478	381	762	838	813	919	1249	1124
36	660	765	1196	3048	1215	1670	1930	127	152	610	559	478	381	762	991	965	1072	1402	1277
42	660	765	1196	3048	1215	1670	1930	127	152	610	711	478	381	762	1143	1118	1224	1554	1429
48	660	765	1196	3048	1215	1670	1930	127	152	610	864	478	381	762	1295	1270	1377	1707	1581
54	660	765	1196	3048	1215	1670	1930	127	152	610	1016	478	381	762	1448	1422	1529	1859	1734

* Based on 18" take-up. For actual take-up, see approval drawing.

OPTIONS & ACCESSORIES:

- 1/2" (12.7mm) UHMW Bottom Liner
- Heavy Idler Assemblies
- Low Profile Heads
- Low Profile Loaders
- Clean-out Inlets
- Ceramic Tile and Other Liner Options

HI-FLIGHT CONVEYOR SPECIFICATIONS

CAPACITIES WITH STANDARD INLET (BPH/US)

SIZE (W x H)	1*	100*	110*	120*	130*	140*	150*	160*	170*
12" x 12"	20	2000	2200	2400	2600	2800	3000	3200	3400
16" x 12"	27	2700	2970	3240	3510	3780	4050	4320	4590
16" x 14"	32	3200	3520	3840	4160	4480	4800	5120	5440
21" x 14"	42	4200	4620	5040	5460	5880	6300	6720	7140
16" x 20"	48	4800	5280	5760	6240	6720	7200	7680	8160
20" x 20"	60	6000	6600	7200	7800	8400	9000	9600	10200
26" x 20"	78	7800	8580	9360	10140	10920	11700	12480	13260
32" x 20"	96	9600	10560	11520	12480	13440	14400	15360	16320
26" x 27"	104	10400	11440	12480	13520	14560	15600	16640	17680
36" x 27"	144	14400	15840	17280	18720	20160	21600	23040	24480
36" x 39"	216	21600	23760	25930	28080	30240	32400	34560	36720

CAPACITIES WITH STANDARD INLET (MTH/METRIC)

SIZE (W x H)	1	100	110	120	130	140	150*	160	170
304.8 x 304.8	0.5	51.0	56.1	61.2	66.3	71.4	76.5	81.6	86.7
406.4 x 304.8	0.7	68.9	75.7	82.6	89.5	96.4	103.3	110.2	117.0
406.4 x 355.6	0.8	81.6	89.8	97.9	106.1	114.2	122.4	130.6	138.7
533.4 x 355.6	1.1	107.1	117.8	128.5	139.2	149.9	160.7	171.4	182.1
406.4 x 508.0	1.2	122.4	134.6	146.9	159.1	171.4	183.6	195.8	208.1
508.0 x 508.0	1.5	153.0	168.3	183.6	198.9	214.2	229.5	244.8	260.1
660.4 x 508.0	2.0	198.9	218.8	238.7	258.6	278.5	298.4	318.2	338.1
812.8 x 508.0	2.4	244.8	269.3	293.8	318.2	342.7	367.2	391.7	416.2
660.4 x 685.8	2.7	265.2	291.7	318.2	344.7	371.3	397.8	424.3	450.8
914.4 x 685.8	3.7	367.2	403.9	440.6	477.4	514.1	550.8	587.5	624.2
914.4 x 990.6	5.5	550.8	605.8	661.2	716.6	771.1	826.1	881.2	936.3

CAPACITIES WITH HORIZONTAL BY-PASS INLET (BPH/US)

SIZE (W x H)	1*	100*	110*	120*	130*	140*	150*	160*	170*
12" x 12"	20	2000	2200	2400	2600	2800	3000	3200	3400
16" x 12"	25	2500	2750	3000	3250	3500	3750	4000	4250
16" x 14"	30	3000	3300	3600	3900	4200	4500	4800	5100
21" x 14"	36	3600	3960	4320	4680	5040	5400	5760	6120
16" x 20"	46	4600	5060	5520	5980	6440	6900	7360	7820
20" x 20"	55	5500	6050	6600	7150	7700	8250	8800	9350
26" x 20"	66	6600	7260	7920	8580	9240	9900	10560	11220
32" x 20"	75	7500	8250	9000	9750	10500	11250	12000	12750
26" x 27"	98	9800	10780	11760	12740	13720	14700	15680	16660
36" x 27"	120	12000	13200	14400	15600	16800	18000	19200	20400
36" x 39"	196	19600	21560	23520	25480	27440	29400	31360	33320

CAPACITIES WITH HORIZONTAL BY-PASS INLET (MTH/METRIC)

SIZE (W x H)	1	100	110	120	130	140	150	160	170
304.8 x 304.8	0.5	51.0	56.1	61.2	66.3	71.4	76.5	81.6	86.7
406.4 x 304.8	0.6	63.8	70.1	76.5	82.9	89.3	95.6	102.0	108.4
406.4 x 355.6	0.8	76.5	84.2	91.8	99.5	107.1	114.8	122.4	130.1
533.4 x 355.6	0.9	91.8	101.0	110.2	119.3	128.5	137.7	146.9	156.1
406.4 x 508.0	1.2	117.3	129.0	140.8	152.5	164.2	176.0	187.7	199.4
508.0 x 508.0	1.4	140.3	154.3	168.3	182.3	196.4	210.4	224.4	238.4
660.4 x 508.0	1.7	168.3	185.1	202.0	218.8	235.6	252.5	269.3	286.1
812.8 x 508.0	1.9	191.3	210.4	229.5	248.6	267.7	286.8	306.0	325.1
660.4 x 685.8	2.5	249.9	274.9	299.9	324.8	349.8	374.8	399.8	424.8
914.4 x 685.8	3.1	306.0	336.6	367.2	397.8	428.4	459.0	489.6	520.2
914.4 x 990.6	5.0	499.8	549.7	599.7	649.7	699.7	749.7	799.6	849.6

* Feet per Minute. Capacities based on dry free flowing grains @ 45 lbs./ft³. All by-pass inlets and dumps to be installed horizontally.



HI-FLIGHT CONVEYOR SPECIFICATIONS

DIMENSIONS (IN.)

SIZE (W x H)	A	B	C	D	E	F	G	H	I	J	K	L	M	N	O
12" x 12"	12	12	20.25	60	42	30	17.25	48	2.25	24	12	22.25	30	24	36
16" x 12"	16	12	20.25	60	42	30	17.25	48	2.25	24	16	24.25	30	28	36
16" x 14"	16	14	23	60	42	30	19	48	2	24	16	26.25	30	28	36
21" x 14"	21	14	23	60	42	30	19	48	2	24	21	28.75	30	33	36
16" x 20"	16	20	30	72	48	36	26.25	48	2	24	16	32	30	36	36
20" x 20"	20	20	30	72	48	36	26.25	48	2	24	20	34	30	40	36
26" x 20"	26	20	30	72	48	36	26.25	48	2	24	26	37	30	46	36
32" x 20"	32	20	30	72	48	36	26.25	48	2	24	32	40	30	52	36
26" x 27"	26	27	39.50	104	78	42	37.50	72	2	24	26	44	30	46	36
36" x 27"	36	27	39.50	104	78	42	37.50	72	2	24	36	49	30	56	48
36" x 39"	36	39	52	108	82	42	50	84	2	24	36	63	42	75	48

DIMENSIONS (MM)

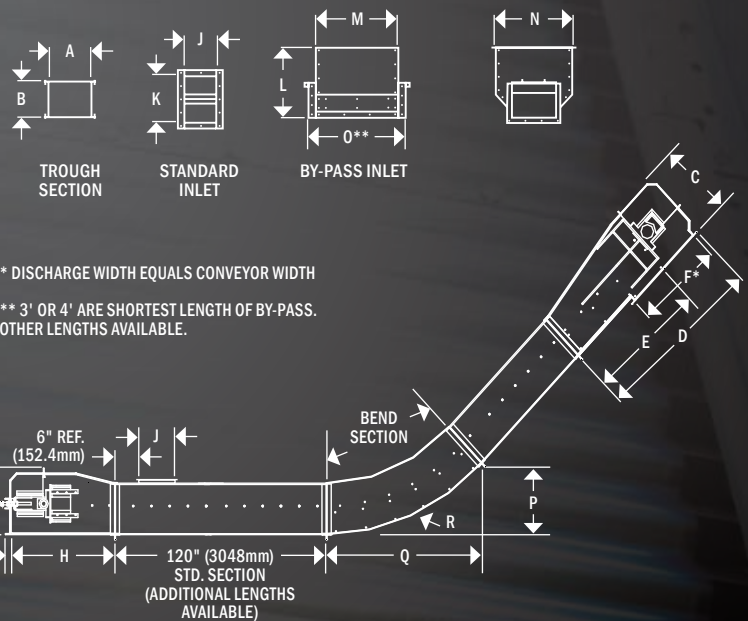
SIZE (W x H)	A	B	C	D	E	F	G	H	I	J	K	L	M	N	O
304.8 x 304.8	304.8	304.8	514.4	1524.0	1066.8	762.0	438.2	1219.2	57.2	609.6	304.8	565.2	762.0	609.6	914.4
406.4 x 304.8	406.4	304.8	514.4	1524.0	1066.8	762.0	438.2	1219.2	57.2	609.6	406.4	616.0	762.0	711.2	914.4
406.4 x 355.6	406.4	355.6	584.2	1524.0	1066.8	762.0	482.6	1219.2	57.2	609.6	406.4	666.8	762.0	711.2	914.4
533.4 x 355.6	533.4	355.6	584.2	1524.0	1066.8	762.0	482.6	1219.2	57.2	609.6	533.4	730.3	762.0	838.2	914.4
406.4 x 508.0	406.4	508.0	762.0	1828.8	1219.2	914.4	666.8	1219.2	50.8	609.6	406.4	812.8	762.0	914.4	914.4
508.0 x 508.0	508.0	508.0	762.0	1828.8	1219.2	914.4	666.8	1219.2	50.8	609.6	508.0	863.6	762.0	1016.0	914.4
660.4 x 508.0	660.4	508.0	762.0	1828.8	1219.2	914.4	666.8	1219.2	50.8	609.6	660.4	939.8	762.0	1168.4	914.4
812.8 x 508.0	812.8	508.0	762.0	1828.8	1219.2	914.4	666.8	1219.2	50.8	609.6	812.8	1016.0	762.0	1320.8	914.4
660.4 x 685.8	660.4	685.8	1003.3	2641.6	1981.2	1066.8	952.5	1828.8	50.8	609.6	660.4	1117.6	762.0	1168.4	914.4
914.4 x 685.8	914.4	685.8	1003.3	2641.6	1981.2	1066.8	952.5	1828.8	50.8	609.6	914.4	1244.6	762.0	1422.4	1219.2
914.4 x 990.6	914.4	990.6	1320.8	2743.2	2082.8	1066.8	1270	2133.6	50.8	609.6	914.4	1600.2	1066.8	1905.0	1219.2

BEND SECTIONS (IN.)

15°	P	Q	R
12" Tall	2.5	18.8	72.0
14" Tall	2.5	18.8	72.0
20" Tall	3.8	24.8	96.0
27" Tall	3.8	24.8	96.0
39" Tall	3.7	28.0	108.0
30°	P	Q	R
12" Tall	9.8	36.0	72.0
14" Tall	9.8	36.0	72.0
20" Tall	12.8	47.5	96.0
27" Tall	12.8	47.5	96.0
39" Tall	14.5	54.0	108.0
45°	P	Q	R
12" Tall	21.0	60.0	72.0
14" Tall	21.0	60.0	72.0
20" Tall	28.0	67.5	96.0
27" Tall	28.0	67.5	96.0
39" Tall	31.6	76.4	108.0
60°	P	Q	R
12" Tall	36.0	62.5	72.0
14" Tall	36.0	62.5	72.0
20" Tall	48.0	83.3	96.0
27" Tall	48.0	83.3	96.0
39" Tall	54.0	93.5	108.0

BEND SECTIONS (MM)

15°	P	Q	R
304.8mm Tall	63.5	476.3	1828.8
355.6mm Tall	63.5	476.3	1828.8
508.0mm Tall	95.3	628.7	2438.4
685.8mm Tall	95.3	628.7	2438.4
990.6mm Tall	94.0	711.2	2743.2
30°	P	Q	R
304.8mm Tall	247.7	914.4	1828.8
355.6mm Tall	247.7	914.4	1828.8
508.0mm Tall	323.9	1206.5	2438.4
685.8mm Tall	323.9	1206.5	2438.4
990.6mm Tall	368.3	1371.6	2743.2
45°	P	Q	R
304.8mm Tall	533.4	1524.0	1828.8
355.6mm Tall	533.4	1524.0	1828.8
508.0mm Tall	711.2	1714.5	2438.4
685.8mm Tall	711.2	1714.5	2438.4
990.6mm Tall	802.6	1940.6	2743.2
60°	P	Q	R
304.8mm Tall	914.4	1587.5	1828.8
355.6mm Tall	914.4	1587.5	1828.8
508.0mm Tall	1219.2	2114.6	2438.4
685.8mm Tall	1219.2	2114.6	2438.4
990.6mm Tall	1371.6	2374.9	2743.2

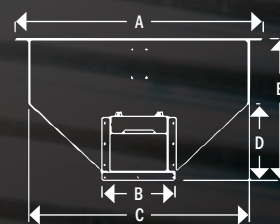


BYPASS DUMP HOPPER (IN.)

Conv.	A	B	C	D	E
12" x 12"	50.5	15.0	44.6	16.5	30.3
16" x 12"	50.5	19.0	44.6	14.5	30.3
16" x 14"	54.5	19.0	48.6	16.5	37.6
21" x 14"	54.5	24.0	48.6	14.0	37.6
16" x 20"	66.5	20.0	60.6	22.4	44.1
20" x 20"	66.5	24.0	60.6	20.4	44.1
26" x 20"	66.5	30.0	60.6	17.4	44.1
32" x 20"	66.5	36.0	60.6	14.4	50.1
26" x 27"	66.5	30.0	60.6	21.2	58.2

BYPASS DUMP HOPPER (MM)

Conv.	A	B	C	D	E
304.8 x 304.8	1282.7	381.0	1133.5	419.1	768.4
406.4 x 304.8	1282.7	482.6	1133.5	368.3	768.4
406.4 x 355.6	1384.3	482.6	1235.1	419.1	955.7
533.4 x 355.6	1384.3	609.6	1235.1	355.6	955.7
406.4 x 508.0	1689.1	508.0	1539.9	569.9	1119.2
508.0 x 508.0	1689.1	609.6	1539.9	519.1	1119.2
660.4 x 508.0	1689.1	762.0	1539.9	442.9	1119.2
812.8 x 508.0	1689.1	914.4	1539.9	366.7	1271.6
660.4 x 685.8	1689.1	762.0	1539.9	538.5	1478.3



COMPLETE YOUR GSI SYSTEM

WWW.GRAINSYSTEMS.COM



40-SERIES™ GRAIN BINS

When determining the best system for your operation, we know that what is protected inside the bin is what counts the most. Every product we design, engineer and build is based on this foundation.



TOWERS AND CATWALKS

GSI offers a full line of structures to support material handling equipment. Built to perform for the long haul, GSI's QuickBolt™ Towers and Catwalks are engineered to your facility's layout, taking wind, seismic and snow loading into consideration. GSI structures feature bolt-up assembly and hot-dipped galvanized finish.



MATERIAL HANDLING

With lines of GSI and InterSystems Material Handling, we offer the broadest product portfolio of proven and dependable equipment in the industry. We design and manufacture products that withstand the conditions of any commercial grain facility, while handling the grain with care and efficiency.



GLOBAL SOLUTIONS. LOCAL SUPPORT.

GSI and GSI Dealers alike share the same passion and commitment to our customers. GSI Dealers and contractors understand down time is not an option, construction schedules must be met. From site planning to installation and service, GSI Dealers and contractors are the proven partners for your operation. When you buy GSI, you get the quality product of a worldwide leader and the dependable service of your local Dealership.

**TO FIND YOUR LOCAL GSI DEALER,
VISIT THE GSI DEALER LOCATOR
AT WWW.GRAINSYSTEMS.COM**



Copyright ©2014 All rights reserved.
GSI reserves the right to change
designs and specifications without notice.

GS-019 AUGUST 2016